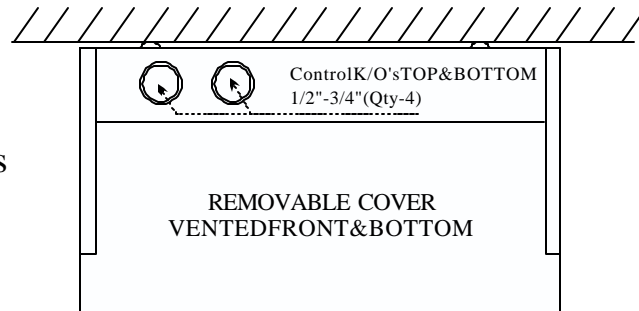
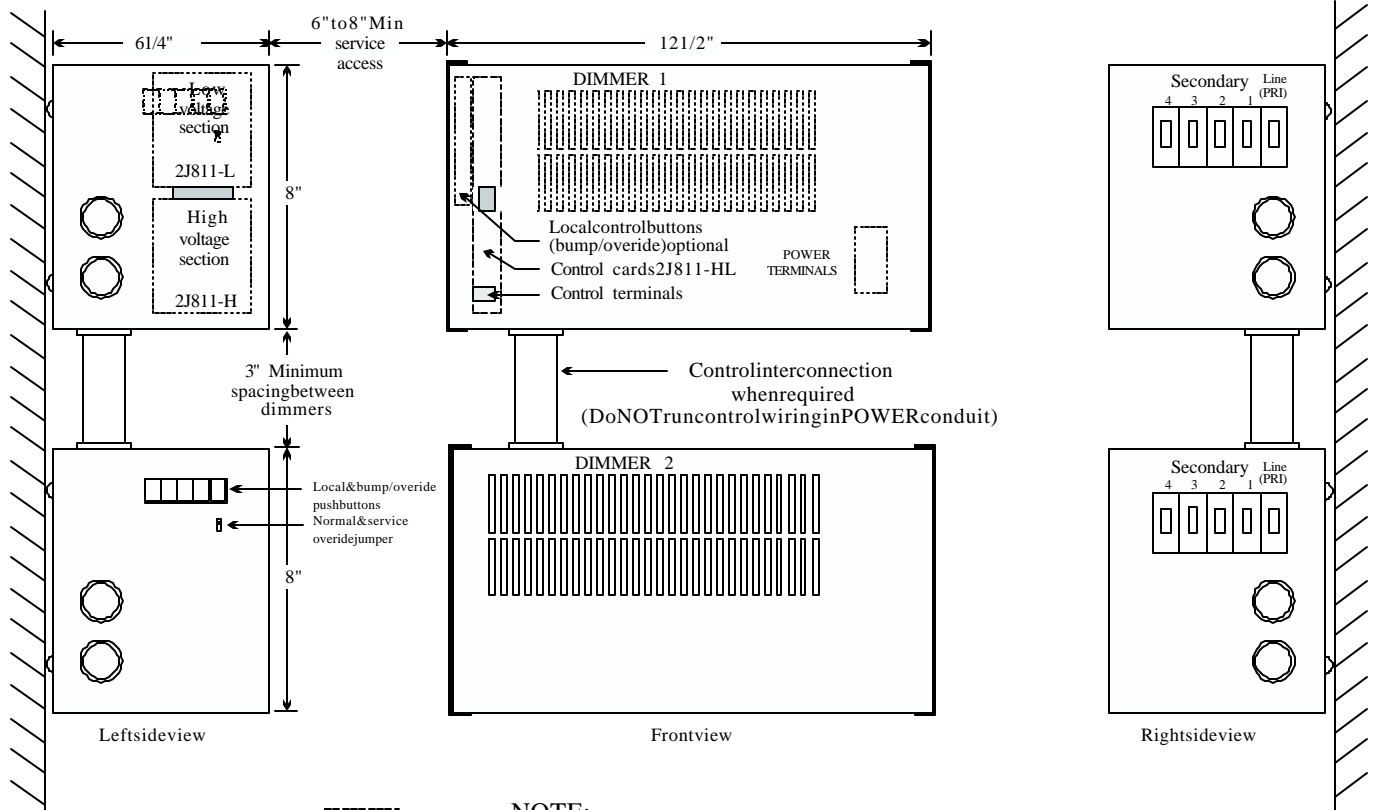


Installation Detail
TEC8112 & (LAD) series
Architectural Dimmers



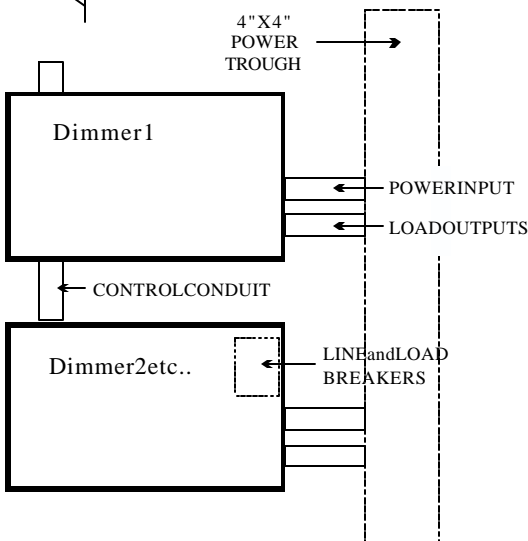
TOPVIEW



Leftsideview

Frontview

Rightsideview



NOTE:

INSTALLATION- These dimmers are convection cooled and require an adequate flow of room temperature air. Leave at least 3" between the TOP of one dimmer and the bottom of another dimmer. Should 3.6KW or 4.8KW dimmers be mounted one above the other, then the distance between dimmers should be increased to 6" spacing. Always mount the case with the heatsink fins vertically aligned. If mounting in an electrical room/closet ensure that cool air can enter at the bottom of the door and exit near the ceiling.

3% to 5% of the connected load is generated as heat in each dimmer. For example, 10,000 Watt load produces the equivalent of 300 to 500 watts of heat in the dimmers.

AC wiring and control wiring should NOT be run in the same conduit. Connect cabinets using the left upper and lower side knockouts for control wiring. Each dimmer requires a separate LINE & NEUTRAL feed.

These cabinets are NOT designed to be used as a trough for power wires feeding other dimmers. A small amount of audible noise is generated by the filter choke in each cabinet. In most cases this is not noticeable, HOWEVER, if the dimmers are mounted in occupied areas, this "noise" may be objectionable. The 60Hz "buzz/hum" will be noticed more at lower dimmer settings, also the TYPE of BULB/FILAMENT configuration will determine how MUCH noise is generated. Please take this into consideration when planning layouts for locating dimmers in areas other than electrical rooms.